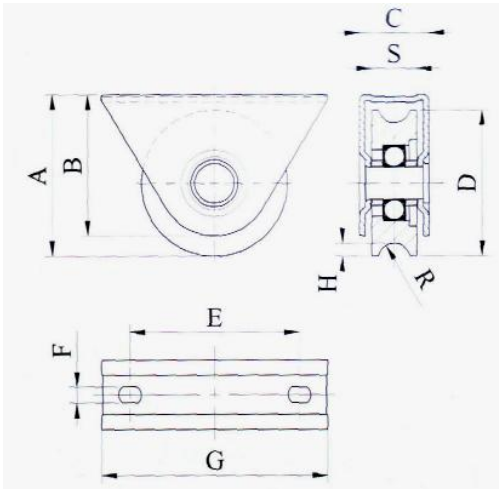


# 410 Series Zinc or Gold Passivated Wheels with External Support

## 410 U Wheels



Code	A	B	C	D Ø	E	F	G	H	S	Bearings	Weight Kgs
410-100/20	105	85	39	97.5	90	8.5x12	120	9.3	24	1	230